

Date \_\_\_\_\_  
 Invoice address \_\_\_\_\_  
 \_\_\_\_\_  
 \_\_\_\_\_  
 \_\_\_\_\_

Customer code C- \_\_\_\_\_  
 Contact person \_\_\_\_\_  
 Reference \_\_\_\_\_  
 Other delivery address \_\_\_\_\_  
 \_\_\_\_\_  
 \_\_\_\_\_

Invoice address = delivery address

Quote



The Java Back's patented biomechanical design provides the flexibility to easily and independently optimize pelvic support and balance the trunk for excellent support, comfort and mobility.

- 3 back heights (360, 460, 560 mm)
- 2 depths (80, 150 mm)



Target group:

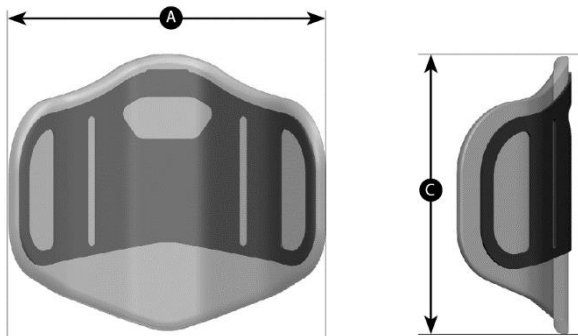
- Low to medium postural asymmetry
- Substantial need for help with balancing the trunk, support required

Delivery time for Ride Designs products is 4-15 workdays.

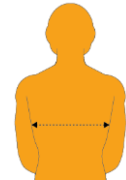
		Article number	Price in €
<input checked="" type="checkbox"/>	Mounting hardware for round back tubes (diameter 19-25.4 mm)		Included
<input type="checkbox"/>	Mounting hardware for square back tubes (e.g. Netti III, Netti 4U CED, Netti 4U CE Plus). Included if the back is ordered together with a Netti wheelchair.	2 x 89509	Total 129,-
<input type="checkbox"/>	Extra outer cover Specify width and height if ordered separately W: _____ H: _____	CJB-	236,-

NORWAY: Alu Rehab AS | Bedriftsvegen 23 | N-4353 Klepp stasjon | [post@My-Netti.com](mailto:post@My-Netti.com) | Phone +47 51 78 62 20  
 DENMARK: Alu Rehab ApS | Kløftehøj 8 | DK-8680 Ry | [info@My-Netti.com](mailto:info@My-Netti.com) | Phone +45 87887300

## Ride® Java® Back Regular

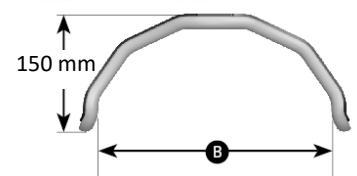
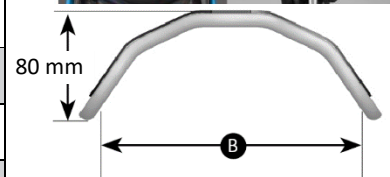


How to find the correct back width?

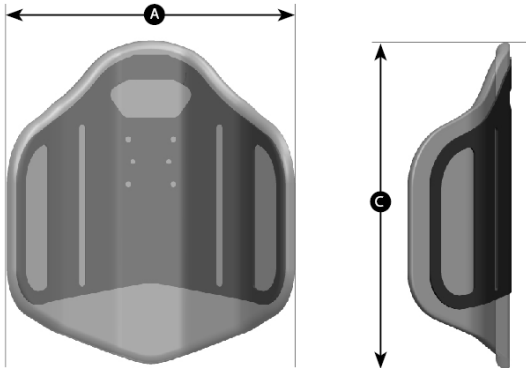


We recommend:  
Width inside foam = Chest width + 50-80 mm depending on the user

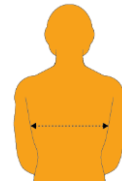
	<b>B:</b> Width inside foam	Fits wheelchair widths	<b>A:</b> Overall back width	<b>C:</b> Back height	Article number	Price in €
<b>HEIGHT: REGULAR 360 mm – DEPTH: REGULAR (80 mm)</b>						
<input type="checkbox"/>	330 mm	350-430 mm	360 mm	360 mm	JB-1414	921,-
<input type="checkbox"/>	340 mm	380-450 mm	380 mm	360 mm	JB-1514	921,-
<input type="checkbox"/>	370 mm	400-450 mm	410 mm	360 mm	JB-1614	921,-
<input type="checkbox"/>	390 mm	430-500 mm	430 mm	360 mm	JB-1714	921,-
<input type="checkbox"/>	420 mm	450-500mm	460 mm	360 mm	JB-1814	921,-
<input type="checkbox"/>	440 mm	500-550 mm	480 mm	360 mm	JB-1914	921,-
<input type="checkbox"/>	470 mm	500-550 mm	510 mm	360 mm	JB-2014	921,-
<b>HEIGHT: REGULAR 360 mm – DEPTH: DEEP (150 mm)</b>						
<input type="checkbox"/>	330 mm	350-430 mm	360 mm	360 mm	JB-1414DP	971,-
<input type="checkbox"/>	340 mm	380-450 mm	380 mm	360 mm	JB-1514DP	971,-
<input type="checkbox"/>	370 mm	400-450 mm	410 mm	360 mm	JB-1614DP	971,-
<input type="checkbox"/>	390 mm	430-500 mm	430 mm	360 mm	JB-1714DP	971,-
<input type="checkbox"/>	420 mm	450-500mm	460 mm	360 mm	JB-1814DP	971,-
<input type="checkbox"/>	440 mm	500-550 mm	480 mm	360 mm	JB-1914DP	971,-
<input type="checkbox"/>	470 mm	500-550 mm	510 mm	360 mm	JB-2014DP	971,-



## Ride® Java® Back Tall

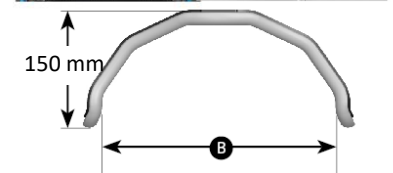
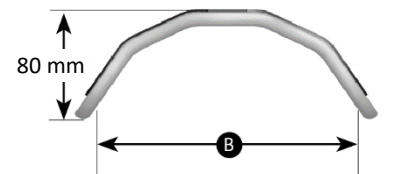


How to find the correct back width?

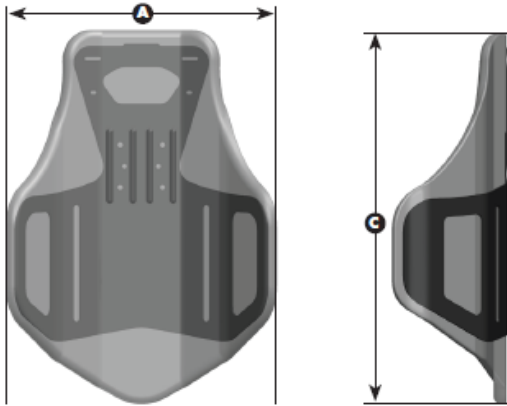


We recommend:  
Width inside foam = Chest width + 50-80 mm depending on the user

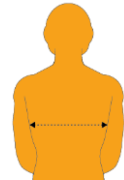
	<b>B:</b> Width inside foam	Fits wheelchair widths	<b>A:</b> Overall back width	<b>C:</b> Back height	Article number	Price in €
<b>HEIGHT: TALL – DEPTH: REGULAR (80 mm)</b>						
<input type="checkbox"/>	330 mm	350-430 mm	360 mm	460 mm	JB-1418	921,-
<input type="checkbox"/>	340 mm	380-450 mm	380 mm	460 mm	JB-1518	921,-
<input type="checkbox"/>	370 mm	400-450 mm	410 mm	460 mm	JB-1618	921,-
<input type="checkbox"/>	390 mm	430-500 mm	430 mm	460 mm	JB-1718	921,-
<input type="checkbox"/>	420 mm	450-500 mm	460 mm	460 mm	JB-1818	921,-
<input type="checkbox"/>	440 mm	500-550 mm	480 mm	460 mm	JB-1918	921,-
<input type="checkbox"/>	470 mm	500-550 mm	510 mm	460 mm	JB-2018	921,-
<b>HEIGHT: TALL – DEPTH: DEEP (150 mm)</b>						
<input type="checkbox"/>	330 mm	350-430 mm	360 mm	460 mm	JB-1418DP	971,-
<input type="checkbox"/>	340 mm	380-450 mm	380 mm	460 mm	JB-1518DP	971,-
<input type="checkbox"/>	370 mm	400-450 mm	410 mm	460 mm	JB-1618DP	971,-
<input type="checkbox"/>	390 mm	430-500 mm	430 mm	460 mm	JB-1718DP	971,-
<input type="checkbox"/>	420 mm	450-500 mm	460 mm	460 mm	JB-1818DP	971,-
<input type="checkbox"/>	440 mm	500-550 mm	480 mm	460 mm	JB-1918DP	971,-
<input type="checkbox"/>	470 mm	500-550 mm	510 mm	460 mm	JB-2018DP	971,-



# Ride® Java® Back Grande

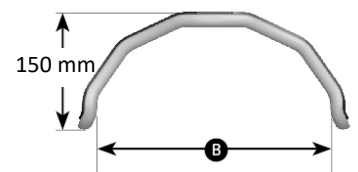
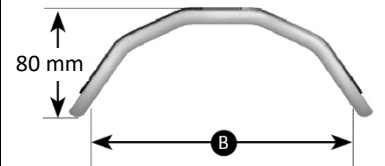


How to find the correct back width?



We recommend:  
Width inside foam = Chest width + 50-80 mm depending on the user

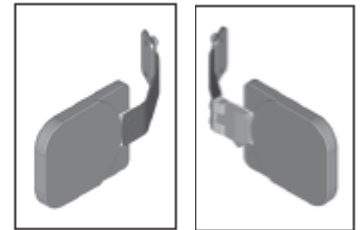
	<b>B:</b> Width inside foam	Fits wheelchair widths	<b>A:</b> Overall back width	<b>C:</b> Back height	Article number	Price in €
<b>HEIGHT: GRANDE – DEPTH: REGULAR (80 mm)</b>						
<input type="checkbox"/>	330 mm	350-430 mm	360 mm	560 mm	JB-1422	921,-
<input type="checkbox"/>	340 mm	380-450 mm	380 mm	560 mm	JB-1522	921,-
<input type="checkbox"/>	370 mm	400-450 mm	410 mm	560 mm	JB-1622	921,-
<input type="checkbox"/>	390 mm	430-500 mm	430 mm	560 mm	JB-1722	921,-
<input type="checkbox"/>	420 mm	450-500 mm	460 mm	560 mm	JB-1822	921,-
<input type="checkbox"/>	440 mm	500-550 mm	480 mm	560 mm	JB-1922	921,-
<input type="checkbox"/>	470 mm	500-550 mm	510 mm <td 560 mm	JB-2022	921,-	
<b>HEIGHT: GRANDE – DEPTH: DEEP (150 mm)</b>						
<input type="checkbox"/>	330 mm	350-430 mm	360 mm	560 mm	JB-1422DP	1011,-
<input type="checkbox"/>	340 mm	380-450 mm	380 mm	560 mm	JB-1522DP	1011,-
<input type="checkbox"/>	370 mm	400-450 mm	410 mm	560 mm	JB-1622DP	1011,-
<input type="checkbox"/>	390 mm	430-500 mm	430 mm	560 mm	JB-1722DP	1011,-
<input type="checkbox"/>	420 mm	450-500 mm	460 mm	560 mm	JB-1822DP	1011,-
<input type="checkbox"/>	440 mm	500-550 mm	480 mm	560 mm	JB-1922DP	1011,-
<input type="checkbox"/>	470 mm	500-550 mm	510 mm	560 mm	JB-2022DP	1011,-



## Lateral trunk support for Ride® Java® Back

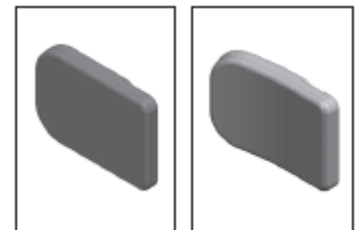
For back depth 80 mm only

		Article number	Price in €/ piece
<input type="checkbox"/>	Fixed	JB-L007 – JB-L018	295,-
<input type="checkbox"/>	Swing away	JB-L031 – JB-L054	475,-
Size	<input type="checkbox"/> Small – H: 75 mm, W: 125 mm <input type="checkbox"/> Medium – H: 100 mm, W: 150 mm <input type="checkbox"/> Large – H: 125 mm, W: 150 mm		
Shape	<input type="checkbox"/> Flat <input type="checkbox"/> Curved		
Side	<input type="checkbox"/> Right <input type="checkbox"/> Left		



Fixed

Swing-away



Flat

Curved

## Accessories

		Article number	Price in €
<input type="checkbox"/>	Additional pelvic wedges (pair) Ensure extra rear side pelvic support	JB-PW	55,-
<input type="checkbox"/>	Additional Flexa-Just stays – thin aluminium strips (pair)	JB-FAS	55,-
<input type="checkbox"/>	Ride Privacy flap		
<input type="checkbox"/>	Small (back width 360 mm)	JB-PFS	40,-
<input type="checkbox"/>	Medium (back width 380-430)	JB-PFM	40,-
<input type="checkbox"/>	Large (back width 460-510)	JB-PFL	40,-
<input type="checkbox"/>	Quickie® fold-down push handle adapter	6000-391	45,-

## Head rest mounting directly on Ride® Java® Back

Can be mounted directly on the Java Back.

Please order the required Netti headrest separately.

	<b>Please note: Only compatible with Java Back Tall and Grande.</b>	Article number	Price in €
<input type="checkbox"/>	Head support adapter Netti standard incl. mounting material for mounting directly to the Java back	91474	96,-
<input type="checkbox"/>	Head support adapter Netti aluminium incl. mounting material for mounting directly to the Java back	91477	262,-
<input type="checkbox"/>	Symmetric Design Apex headrest hardware system for symmetrical and asymmetrical head positions.	46403	212,-
<input type="checkbox"/>	Apex headrest oval 200x115 mm (Please note: 46403 is required)	45423	186,-
<input type="checkbox"/>	Apex headrest with wings 230x140 mm (Please note: 46403 is required)	45424	239,-
<input type="checkbox"/>	Netti headrest adapter (for mounting of Netti headrests on Apex headrest hardware system)	89558	163,-
	Savant head rest incl. headband, small – height 130 mm. User forehead 460-560 mm. ½ user circumference behind ears 150-180 mm. Inside distance along top support 300 mm, along middle support 180 mm.  Please note: 46403 is required	45366	737,-
<input type="checkbox"/>	Savant head rest incl. headband, adult – height 150 mm. User forehead 560-610 mm. ½ user circumference behind ears 200-300 mm. Inside distance along top support 360 mm, along middle support 200 mm.  Please note: 46403 is required	45367	737,-

